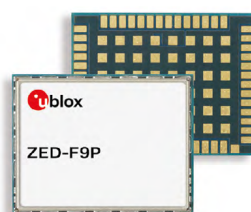


ZED-F9P-01B

u-blox F9 high precision GNSS module

Data sheet



Abstract

This data sheet describes the ZED-F9P high precision module with multi-band GNSS receiver. The module provides multi-band RTK with fast convergence times, reliable performance and easy integration of RTK for fast time-to-market. It has a high update rate for highly dynamic applications and centimeter-level accuracy in a small and energy-efficient module.

Document information

Title	ZED-F9P-01B	
Subtitle	u-blox F9 high precision GNSS module	
Document type	Data sheet	
Document number	UBX-17051259	
Revision and date	R09	24-Mar-2023
Disclosure restriction	C1-Public	

Product status	Corresponding content status	
Functional Sample	Draft	For functional testing. Revised and supplementary data will be published later.
In development / prototype	Objective specification	Target values. Revised and supplementary data will be published later.
Engineering sample	Advance information	Data based on early testing. Revised and supplementary data will be published later.
Initial production	Early production information	Data from product verification. Revised and supplementary data may be published later.
Mass production / End of life	Production information	Document contains the final product specification.

This document applies to the following products:

Product name	Type number	FW version	IN/PCN reference	Product status
ZED-F9P	ZED-F9P-01B-01	HPG 1.12	UBX-22004181, UBX-23000084	Mass production

u-blox or third parties may hold intellectual property rights in the products, names, logos and designs included in this document. Copying, reproduction, or modification of this document or any part thereof is only permitted with the express written permission of u-blox. Disclosure to third parties is permitted for clearly public documents only.

The information contained herein is provided "as is" and u-blox assumes no liability for its use. No warranty, either express or implied, is given, including but not limited to, with respect to the accuracy, correctness, reliability and fitness for a particular purpose of the information. This document may be revised by u-blox at any time without notice. For the most recent documents, visit www.u-blox.com.

Copyright © 2023, u-blox AG.

Contents

1 Functional description.....	4
1.1 Overview.....	4
1.2 Performance.....	4
1.3 Supported GNSS constellations.....	6
1.4 Supported GNSS augmentation systems.....	6
1.4.1 Quasi-zenith satellite system (QZSS).....	6
1.4.2 Differential GNSS (DGNSS).....	6
1.5 Broadcast navigation data and satellite signal measurements.....	8
1.5.1 Carrier-phase measurements.....	8
1.6 Supported protocols.....	8
2 System description.....	9
2.1 Block diagram.....	9
3 Pin definition.....	10
3.1 Pin assignment.....	10
4 Electrical specification.....	13
4.1 Absolute maximum ratings.....	13
4.2 Operating conditions.....	13
4.3 Indicative power requirements.....	14
5 Communications interfaces.....	15
5.1 UART.....	15
5.2 SPI.....	15
5.3 I2C.....	16
5.4 USB.....	18
5.5 Default interface settings.....	18
6 Mechanical specification.....	19
7 Reliability tests and approvals.....	20
7.1 Approvals.....	20
8 Labeling and ordering information.....	21
8.1 Product labeling.....	21
8.2 Explanation of product codes.....	21
8.3 Ordering codes.....	21
Related documents.....	22
Revision history.....	23

1 Functional description

1.1 Overview

The ZED-F9P-01B positioning module features the u-blox F9 receiver platform, which provides multi-band GNSS to high volume industrial applications. The ZED-F9P-01B has integrated u-blox multi-band RTK technology for centimeter level accuracy. The module enables precise navigation and automation of moving machinery in industrial and consumer grade products in a compact surface mounted form factor.

The ZED-F9P-01B includes moving base support, allowing both base and rover to move while computing a centimeter-level accurate position between them. Moving base is ideal for UAV applications where the UAV is programmed to follow its owner or to land on a moving platform. It is also well suited to attitude sensing applications where both base and rover modules are mounted on the same moving platform and the relative position is used to derive attitude information for the vehicle or tool.

1.2 Performance

Parameter	Specification	
Receiver type	Multi-band GNSS high precision receiver	
Accuracy of time pulse signal	RMS 99%	30 ns 60 ns
Frequency of time pulse signal	0.25 Hz to 10 MHz (configurable)	
Operational limits ¹	Dynamics Altitude Velocity	≤ 4 g 50,000 m 500 m/s
Velocity accuracy ²	0.05 m/s	
Dynamic heading accuracy ²	0.3 deg	

GNSS		GPS+GLO+GAL+BDS	GPS+GLO+GAL	GPS+GAL	GPS+GLO	GPS+BDS	GPS
Acquisition ³	Cold start	24 s	25 s	29 s	26 s	28 s	29 s
	Hot start	2 s	2 s	2 s	2 s	2 s	2 s
	Aided start ⁴	2 s	2 s	2 s	2 s	2 s	2 s
Max navigation update rate	RTK	8 Hz	10 Hz	15 Hz	15 Hz	15 Hz	20 Hz
	PVT	10 Hz	12 Hz	20 Hz	25 Hz	25 Hz	25 Hz
	RAW	20 Hz	20 Hz	25 Hz	25 Hz	25 Hz	25 Hz
Convergence time ⁵	RTK	< 10 s	< 10 s	< 10 s	< 10 s	< 10 s	< 30 s

Table 1: ZED-F9P-01B performance in different GNSS modes

¹ Assuming Airborne 4 g platform

² 50% @ 30 m/s for dynamic operation

³ Commanded starts. All satellites at -130 dBm.

⁴ Dependent on the speed and latency of the aiding data connection, commanded starts

⁵ Depends on atmospheric conditions, baseline length, GNSS antenna, multipath conditions, satellite visibility and geometry

GNSS		GPS+GLO+GAL+BDS	GPS+GLO+GAL	GPS+GAL	GPS+GLO	GPS+BDS	GPS
Horizontal pos. accuracy	PVT	1.5 m CEP	1.5 m CEP	1.5 m CEP	1.5 m CEP	1.5 m CEP	1.5 m CEP
	RTK ⁶	0.01 m + 1 ppm CEP	0.01 m + 1 ppm CEP	0.01 m + 1 ppm CEP	0.01 m + 1 ppm CEP	0.01 m + 1 ppm CEP	0.01 m + 1 ppm CEP
Vertical pos. accuracy	RTK ⁶	0.01 m + 1 ppm CEP	0.01 m + 1 ppm CEP	0.01 m + 1 ppm CEP	0.01 m + 1 ppm CEP	0.01 m + 1 ppm CEP	0.01 m + 1 ppm CEP

Table 2: ZED-F9P-01B position accuracy in different GNSS modes

GNSS		GPS+GLO+GAL+BDS
Sensitivity ⁷	Tracking and nav.	-167 dBm
	Reacquisition	-160 dBm
	Cold start	-148 dBm
	Hot start	-157 dBm

Table 3: ZED-F9P-01B sensitivity

GNSS	GPS+GLO+GAL+BDS	GPS+GLO+GAL	GPS+GAL	GPS+GLO	GPS+BDS	GPS
Max navigation update rate	5 Hz	5 Hz	8 Hz	8 Hz	8 Hz	10 Hz
Heading accuracy	0.4 deg	0.4 deg	0.4 deg	0.4 deg	0.4 deg	0.4 deg

Table 4: ZED-F9P-01B moving base RTK performance in different GNSS modes

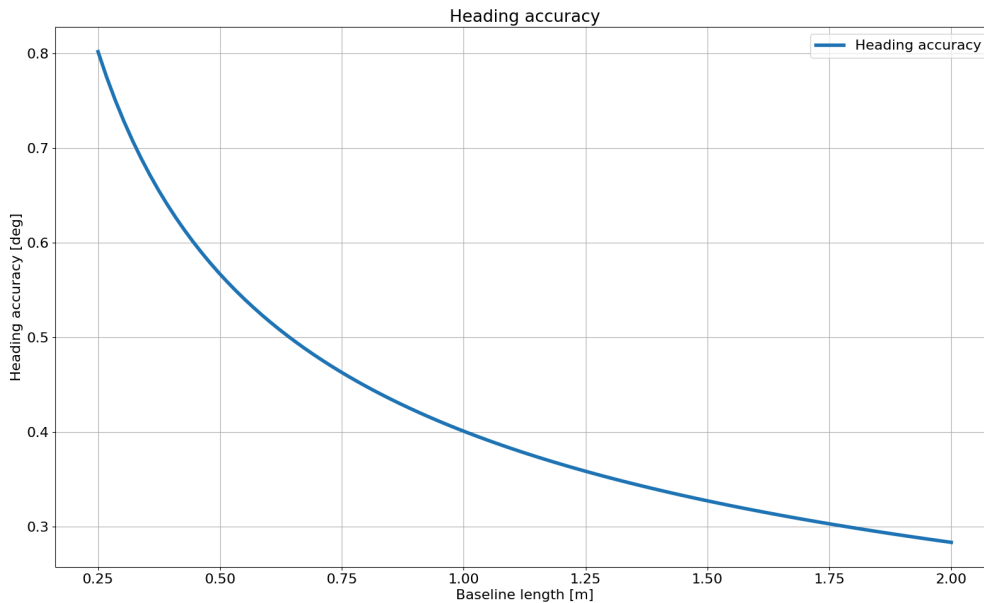


Figure 1: ZED-F9P-01B moving base RTK heading accuracy versus baseline length

In a moving base application, and especially when the antennas are mounted on the same platform, it is recommended to use identical antennas. Furthermore it is recommended these antennas are mounted with identical orientation, as this will minimize effects of phase center variation.

⁶ Measured using 1 km baseline and patch antennas with good ground planes. Does not account for possible antenna phase center offset errors. ppm limited to baselines up to 20 km

⁷ Demonstrated with a good external LNA

The UBX-NAV-RELPOSNEED message outputs baseline heading and baseline length measurements. For the UBX-NAV-RELPOSNEED message specification, see the Interface description [2].

1.3 Supported GNSS constellations

The ZED-F9P-01B GNSS modules are concurrent GNSS receivers that can receive and track multiple GNSS constellations. Owing to the multi-band RF front-end architecture, all four major GNSS constellations (GPS, GLONASS, Galileo and BeiDou) plus QZSS satellites can be received concurrently. All satellites in view can be processed to provide an RTK navigation solution when used with correction data. If power consumption is a key factor, the receiver can be configured for a subset of GNSS constellations.

The QZSS system shares the same L1 and L2 frequency bands as GPS and can always be processed in conjunction with GPS.

To take advantage of multi-band signal reception, dedicated hardware preparation must be made during the design-in phase. See the Integration manual [1] for u-blox design recommendations.

The ZED-F9P-01B supports the GNSS and their signals as shown in Table 5.

GPS	GLONASS	Galileo	BeiDou
L1C/A (1575.42 MHz)	L1OF (1602 MHz + k*562.5 kHz, k = -7,..., 5, 6)	E1-B/C (1575.42 MHz)	B1I (1561.098 MHz)
L2C (1227.60 MHz)	L2OF (1246 MHz + k*437.5 kHz, k = -7,..., 5, 6)	E5b (1207.140 MHz)	B2I (1207.140 MHz)

Table 5: Supported GNSS and signals on ZED-F9P-01B

The following GNSS assistance services can be activated on ZED-F9P-01B:


AssistNow™ Online	AssistNow™ Offline	AssistNow™ Autonomous
Supported	-	-

Table 6: Supported Assisted GNSS (A-GNSS) services

1.4 Supported GNSS augmentation systems

1.4.1 Quasi-zenith satellite system (QZSS)

The Quasi-zenith satellite system (QZSS) is a regional navigation satellite system that transmits additional L1 C/A and L2C signals for the Pacific region covering Japan and Australia. The ZED-F9P high precision receiver is able to receive and track these signals concurrently with GPS L1 C/A and L2C signals, resulting in better availability especially under challenging signal conditions, e.g. in urban canyons.

 QZSS can be enabled only if GPS operation is also configured.

1.4.2 Differential GNSS (DGNSS)

When operating in RTK mode, RTCM version 3 messages are required and the module supports DGNSS according to RTCM 10403.3.

A ZED-F9P-01B operating in rover mode can decode the following RTCM 3.3 messages:

Message Type	Description
RTCM 1001	L1-only GPS RTK observables
RTCM 1002	Extended L1-only GPS RTK observables

Message Type	Description
RTCM 1003	L1/L2 GPS RTK observables
RTCM 1004	Extended L1/L2 GPS RTK observables
RTCM 1005	Stationary RTK reference station ARP
RTCM 1006	Stationary RTK reference station ARP with antenna height
RTCM 1007	Antenna descriptor
RTCM 1009	L1-only GLONASS RTK observables
RTCM 1010	Extended L1-only GLONASS RTK observables
RTCM 1011	L1/L2 GLONASS RTK observables
RTCM 1012	Extended L1/L2 GLONASS RTK observables
RTCM 1033	Receiver and antenna description
RTCM 1074	GPS MSM4
RTCM 1075	GPS MSM5
RTCM 1077	GPS MSM7
RTCM 1084	GLONASS MSM4
RTCM 1085	GLONASS MSM5
RTCM 1087	GLONASS MSM7
RTCM 1094	Galileo MSM4
RTCM 1095	Galileo MSM5
RTCM 1097	Galileo MSM7
RTCM 1124	BeiDou MSM4
RTCM 1125	BeiDou MSM5
RTCM 1127	BeiDou MSM7
RTCM 1230	GLONASS code-phase biases
RTCM 4072.0	Reference station PVT (u-blox proprietary RTCM Message)
RTCM 4072.1	Additional reference station information (u-blox proprietary RTCM Message)

Table 7: Supported input RTCM 3.3 messages

A ZED-F9P-01B operating as a base station can generate the following RTCM 3.3 output messages:

Message Type	Description
RTCM 1005	Stationary RTK reference station ARP
RTCM 1074	GPS MSM4
RTCM 1077	GPS MSM7
RTCM 1084	GLONASS MSM4
RTCM 1087	GLONASS MSM7
RTCM 1094	Galileo MSM4
RTCM 1097	Galileo MSM7
RTCM 1124	BeiDou MSM4
RTCM 1127	BeiDou MSM7
RTCM 1230	GLONASS code-phase biases
RTCM 4072.0	Reference station PVT (u-blox proprietary RTCM Message)
RTCM 4072.1	Additional reference station information (u-blox proprietary RTCM Message)

Table 8: Supported output RTCM 3.3 messages

1.5 Broadcast navigation data and satellite signal measurements

The ZED-F9P-01B can output all the GNSS broadcast data upon reception from tracked satellites. This includes all the supported GNSS signals plus the augmentation service QZSS. The UBX-RXM-SFRBX message contains this information. The receiver also makes available the tracked satellite signal information, i.e. raw code phase and Doppler measurements, in a form aligned to the Radio Resource LCS Protocol (RRLP) [3]. For the UBX-RXM-SFRBX message specification, see the Interface description [2].

1.5.1 Carrier-phase measurements

The ZED-F9P-01B modules provide raw carrier phase data for all supported signals, along with pseudorange, Doppler and measurement quality information. The data contained in the UBX-RXM-RAWX message follows the conventions of a multi-GNSS RINEX 3 observation file. For the UBX-RXM-RAWX message specification, see the Interface description [2].



Raw measurement data are available once the receiver has established data bit synchronization and time-of-week.

1.6 Supported protocols

The ZED-F9P-01B supports the following protocols:

Protocol	Type
UBX	Input/output, binary, u-blox proprietary
NMEA 4.10	Input/output, ASCII
RTCM 3.3	Input/output, binary

Table 9: Supported protocols

For specification of the protocols, see the Interface description [2].

2 System description

2.1 Block diagram

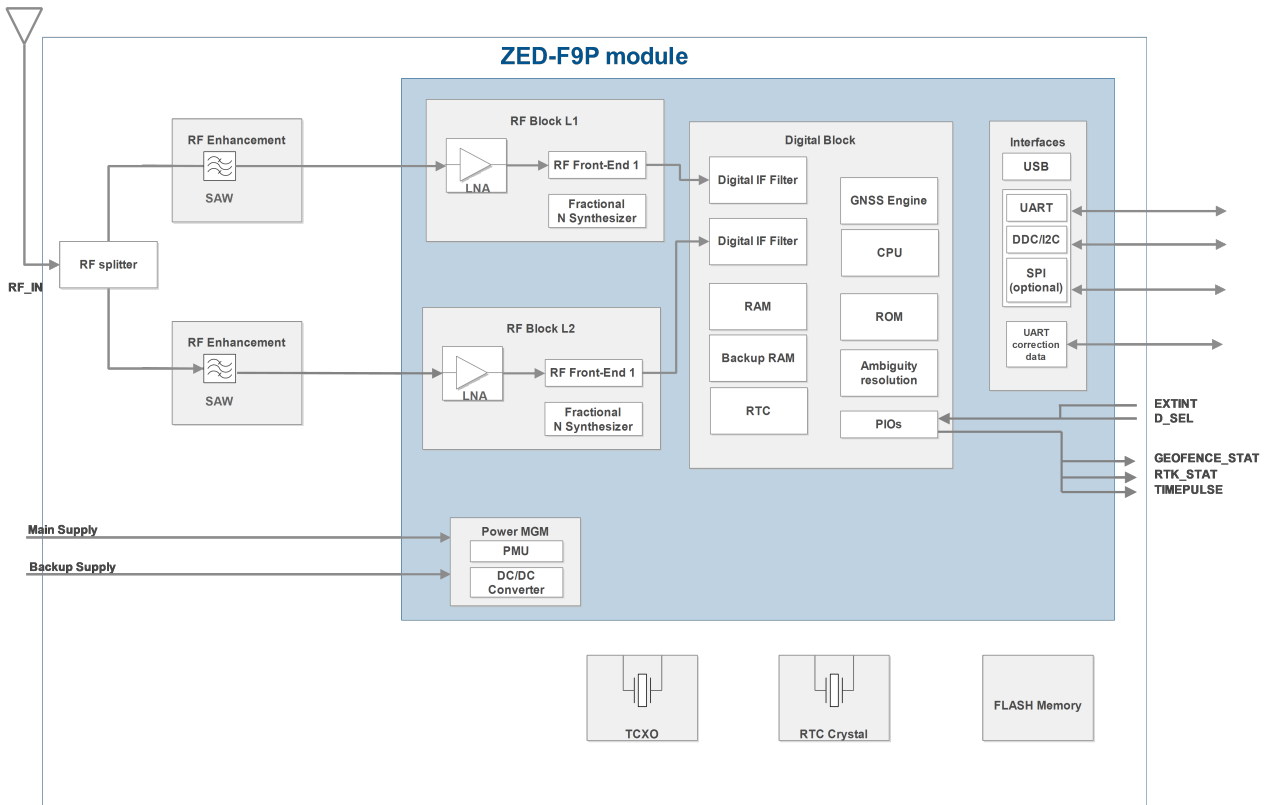


Figure 2: ZED-F9P-01B block diagram



An active antenna is mandatory with the ZED-F9P-01B. See the Integration manual [1].

3 Pin definition

3.1 Pin assignment

The pin assignment of the ZED-F9P-01B module is shown in [Figure 3](#). The defined configuration of the PIOs is listed in [Table 10](#).

For detailed information on pin functions and characteristics, see the Integration manual [1].

The ZED-F9P-01B is an LGA package with the I/O on the outside edge and central ground pads.

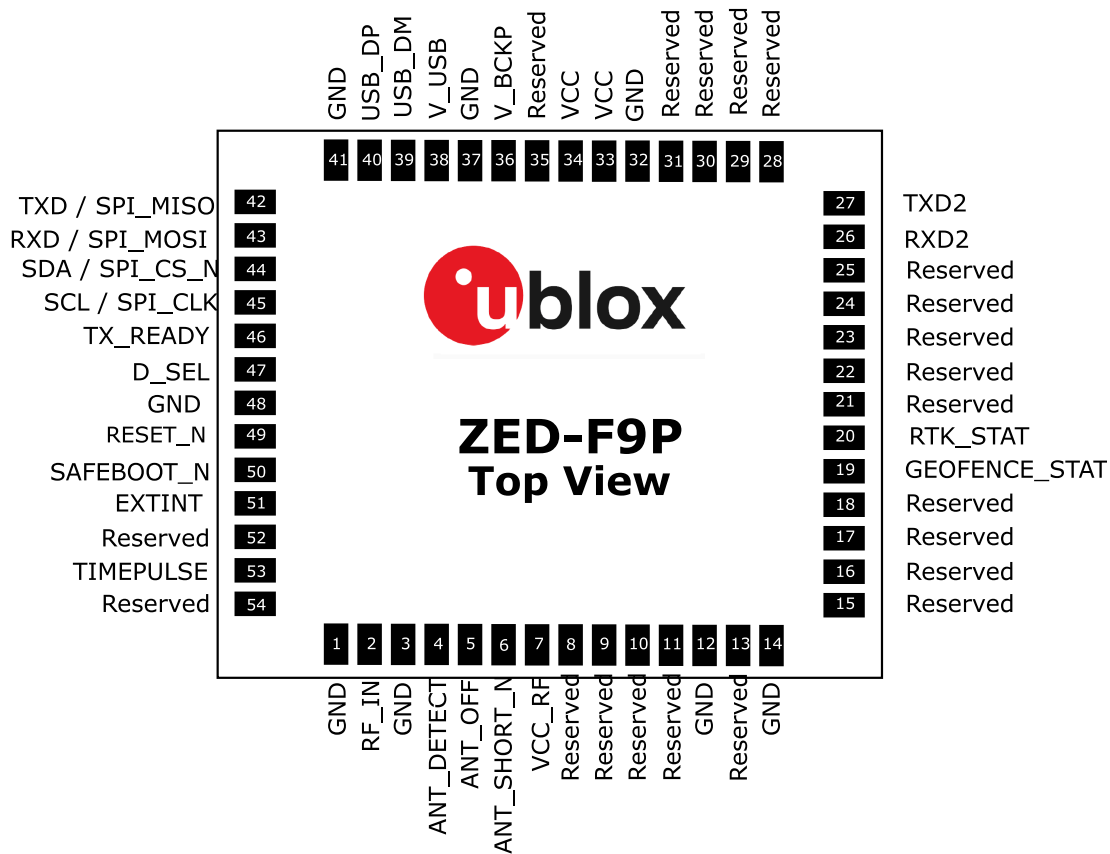


Figure 3: ZED-F9P-01B pin assignment

Pin No	Name	I/O	Description
1	GND	-	Ground
2	RF_IN	I	RF input
3	GND	-	Ground
4	ANT_DETECT	I	Active antenna detect - default active high
5	ANT_OFF	O	External LNA disable - default active high
6	ANT_SHORT_N	I	Active antenna short detect - default active low
7	VCC_RF	O	Voltage for external LNA
8	Reserved	-	Reserved
9	Reserved	-	Reserved

Pin No	Name	I/O	Description
10	Reserved	-	Reserved
11	Reserved	-	Reserved
12	GND	-	Ground
13	Reserved	-	Reserved
14	GND	-	Ground
15	Reserved	-	Reserved
16	Reserved	-	Reserved
17	Reserved	-	Reserved
18	Reserved	-	Reserved
19	GEOFENCE_STAT	O	Geofence status, user defined
20	RTK_STAT	O	RTK status: 0 (RTK fixed), Blinking (receiving and using RTCM corrections), 1 (otherwise)
21	Reserved	-	Reserved
22	Reserved	-	Reserved
23	Reserved	-	Reserved
24	Reserved	-	Reserved
25	Reserved	-	Reserved
26	RXD2	I	Correction UART input
27	TXD2	O	Correction UART output
28	Reserved	-	Reserved
29	Reserved	-	Reserved
30	Reserved	-	Reserved
31	Reserved	-	Reserved
32	GND	-	Ground
33	VCC	I	Voltage supply
34	VCC	I	Voltage supply
35	Reserved	-	Reserved
36	V_BCKP	I	Backup supply voltage
37	GND	-	Ground
38	V_USB	I	USB supply
39	USB_DM	I/O	USB data
40	USB_DP	I/O	USB data
41	GND	-	Ground
42	TXD / SPI_MISO	O	Host UART output if D_SEL = 1 (or open). SPI_MISO if D_SEL = 0
43	RXD / SPI_MOSI	I	Host UART input if D_SEL = 1 (or open). SPI_MOSI if D_SEL = 0
44	SDA / SPI_CS_N	I/O	I2C Data if D_SEL = 1 (or open). SPI Chip Select if D_SEL = 0
45	SCL / SPI_CLK	I/O	I2C Clock if D_SEL = 1 (or open). SPI Clock if D_SEL = 0
46	TX_READY	O	TX_Buffer full and ready for TX of data
47	D_SEL	I	Interface select for pins 42-45
48	GND	-	Ground
49	RESET_N	I	RESET_N
50	SAFEBOOT_N	I	SAFEBOOT_N (for future service, updates and reconfiguration, leave OPEN)
51	EXTINT	I	External Interrupt Pin
52	Reserved	-	Reserved

Pin No	Name	I/O	Description
53	TIMEPULSE	O	Time pulse
54	Reserved	-	Reserved

Table 10: ZED-F9P-01B pin assignment

4 Electrical specification

- The limiting values given are in accordance with the Absolute Maximum Rating System (IEC 134). Stress above one or more of the limiting values may cause permanent damage to the device. These are stress ratings only. Operation of the device at these or at any other conditions above those given below is not implied. Exposure to limiting values for extended periods may affect device reliability.
- Where application information is given, it is advisory only and does not form part of the specification.

4.1 Absolute maximum ratings

Parameter	Symbol	Condition	Min	Max	Units
Power supply voltage	VCC		-0.5	3.6	V
Voltage ramp on VCC ⁸			20	8000	µs/V
Backup battery voltage	V_BCKP		-0.5	3.6	V
Voltage ramp on V_BCKP ⁸			20		µs/V
Input pin voltage	V _{in}	VCC ≤ 3.1 V	-0.5	VCC + 0.5	V
		VCC > 3.1 V	-0.5	3.6	V
VCC_RF output current	ICC_RF			200	mA
Supply voltage USB	V_USB		-0.5	3.6	V
USB signals	USB_DM, USB_DP		-0.5	V_USB + 0.5 V	
Input power at RF_IN	Pr _{fin}	source impedance = 50 Ω, continuous wave		10	dBm
Storage temperature	T _{stg}		-40	+85	°C

Table 11: Absolute maximum ratings

- CAUTION** Risk of equipment damage. This product is not protected against overvoltage or reversed voltages. Use appropriate protection diodes to avoid voltage spikes exceeding the specified boundaries damaging the equipment.

4.2 Operating conditions

- The values for the following operating conditions have been specified at 25°C ambient temperature. Extreme operating temperatures can significantly impact the specified values. If an application operates near the min or max temperature limits, ensure the specified values are not exceeded.

Parameter	Symbol	Min	Typical	Max	Units	Condition
Power supply voltage	VCC	2.7	3.0	3.6	V	
Backup battery voltage	V_BCKP	1.65		3.6	V	
Backup battery current ⁹	I_BCKP		45		µA	V_BCKP = 3 V, VCC = 0 V
SW backup current	I_SWBCKP				mA	
Input pin voltage range	V _{in}	0		VCC	V	
Digital IO pin low level input voltage	V _{il}			0.4	V	

⁸ Exceeding the ramp speed may permanently damage the device

⁹ To measure the I_{BCKP} the receiver should first be switched on, i.e. VCC and V_{BCKP} is available. Then set VCC to 0 V while the V_{BCKP} remains available. Afterward measure the current consumption at the V_{BCKP}.

Parameter	Symbol	Min	Typical	Max	Units	Condition
Digital IO pin high level input voltage	V _{ih}	0.8 * VCC			V	
Digital IO pin low level output voltage	V _{ol}			0.4	V	I _{ol} = 2 mA ¹⁰
Digital IO pin high level output voltage	V _{oh}	VCC - 0.4			V	I _{oh} = 2 mA ¹⁰
DC current through any digital I/O pin (except supplies)	I _{pin}			5	mA	
Pull-up resistance for SCL, SDA	R _{pu}	7	15	30	kΩ	
Pull-up resistance for D_SEL, RXD, TXD, SAFEBOOT_N, EXTINT	R _{pu}	30	75	130	kΩ	
Pull-up resistance for RESET_N	R _{pu}	7	10	13	kΩ	
Voltage at USB pins	V_USBIO	0		V_USB	V	
VCC_RF voltage	VCC_RF		VCC - 0.1		V	
VCC_RF output current	ICC_RF			50	mA	
Receiver chain noise figure ¹¹	NF _{tot}				dB	
External gain (at RF_IN)	Ext_gain				dB	
Operating temperature	Topr	-40	+25	+85	°C	

Table 12: Operating conditions

Operation beyond the specified operating conditions can affect the device reliability.

4.3 Indicative power requirements

Table 13 lists examples of the total system supply current including RF and baseband section for a possible application.

Values in Table 13 are provided for customer information only, as an example of typical current requirements. Values are characterized on samples with using a command cold start. Actual power requirements can vary depending on FW version used, external circuitry, number of SVs tracked, signal strength, type and time of start, duration, and conditions of test.

Symbol	Parameter	Conditions	GPS+GLO +GAL+BDS	GPS	Unit
I _{PEAK}	Peak current	Acquisition	130	120	mA
I _{VCC} ¹²	VCC current	Acquisition	90	75	mA
I _{supply} ¹²	Supply current	Tracking	85	68	mA

Table 13: Currents to calculate the indicative power requirements

All values in Table 13 are measured at 25 °C ambient temperature.

¹⁰ TIMEPULSE has 4 mA current drive/sink capability

¹¹ Only valid for GPS

¹² Simulated GNSS signal

5 Communications interfaces

The ZED-F9P-01B has several communications interfaces, including UART, SPI, I2C and USB.

All the inputs have internal pull-up resistors in normal operation and can be left open if not used. All the PIOs are supplied by VCC, therefore all the voltage levels of the PIO pins are related to VCC supply voltage.

5.1 UART

The UART interfaces support configurable baud rates. See the Integration manual [1].

Hardware flow control is not supported.

The UART1 is enabled if D_SEL pin of the module is left open or "high".

Symbol	Parameter	Min	Max	Unit
R_U	Baud rate	9600	921600	bit/s
Δ_{Tx}	Tx baud rate accuracy	-1%	+1%	-
Δ_{Rx}	Rx baud rate tolerance	-2.5%	+2.5%	-

Table 14: ZED-F9P-01B UART specifications

5.2 SPI

The SPI interface is disabled by default. The SPI interface shares pins with UART and I2C and can be selected by setting D_SEL = 0. The SPI interface can be operated in slave mode only. The maximum transfer rate using SPI is 125 kB/s and the maximum SPI clock frequency is 5.5 MHz.

The SPI timing parameters for slave operation are defined in Figure 4. Default SPI configuration is CPOL = 0 and CPHA = 0.

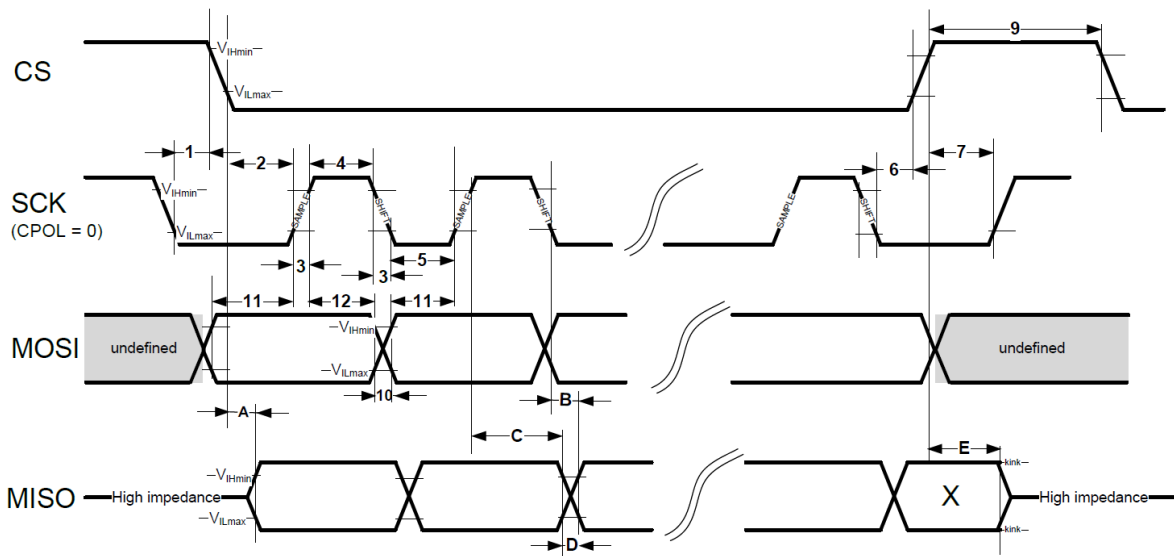


Figure 4: ZED-F9P-01B SPI specification mode 1: CPHA=0 SCK = 5.33 MHz

Symbol	Parameter	Min	Max	Unit
1	CS deassertion hold time	23	-	ns
2	Slave select time (CS to SCK)	20	-	ns

Symbol	Parameter	Min	Max	Unit
3	SCK rise/fall time	-	7	ns
4	SCK high time	24	-	ns
5	SCK low time	24	-	ns
6	Slave deselect time (SCK falling to CS)	30	-	ns
7	Slave deselect time (CS to SCK)	30	-	ns
9	CS high time	32	-	ns
10	MOSI transition time	-	7	ns
11	MOSI setup time	16	-	ns
12	MOSI hold time	24	-	ns

Table 15: SPI slave input timing parameters 1 - 12

Symbol	Parameter	Min	Max	Unit
A	MISO data valid time (CS)	12	40	ns
B	MISO data valid time (SCK), weak driver mode	15	40	ns
C	MISO data hold time	100	140	ns
D	MISO rise/fall time, weak driver mode	0	5	ns
E	MISO data disable lag time	15	35	ns

Table 16: SPI slave timing parameters A - E, 2 pF load capacitance

Symbol	Parameter	Min	Max	Unit
A	MISO data valid time (CS)	16	55	ns
B	MISO data valid time (SCK), weak driver mode	20	55	ns
C	MISO data hold time	100	150	ns
D	MISO rise/fall time, weak driver mode	3	20	ns
E	MISO data disable lag time	15	35	ns

Table 17: SPI slave timing parameters A - E, 20 pF load capacitance

Symbol	Parameter	Min	Max	Unit
A	MISO data valid time (CS)	26	85	ns
B	MISO data valid time (SCK), weak driver mode	30	85	ns
C	MISO data hold time	110	160	ns
D	MISO rise/fall time, weak driver mode	13	45	ns
E	MISO data disable lag time	15	35	ns

Table 18: SPI slave timing parameters A - E, 60 pF load capacitance

5.3 I2C

An I2C interface is available for communication with an external host CPU in I2C Fast-mode. Backwards compatibility with Standard-mode I2C bus operation is not supported. The interface can be operated only in slave mode with a maximum bit rate of 400 kbit/s. The interface can make use of clock stretching by holding the SCL line LOW to pause a transaction. In this case, the bit transfer rate is reduced. The maximum clock stretching time is 20 ms.

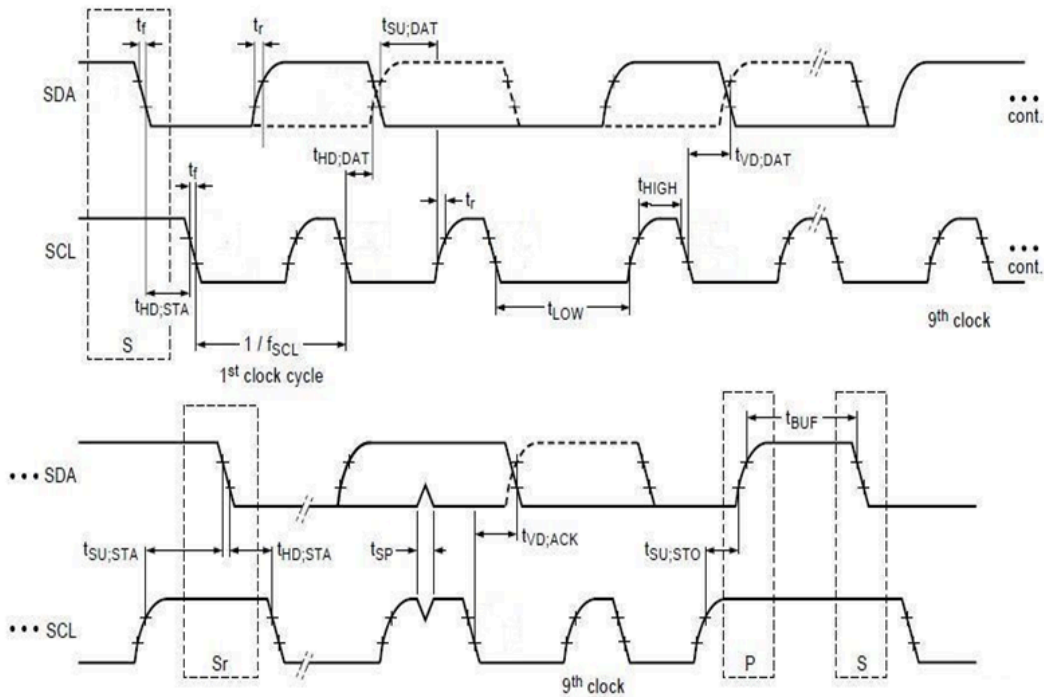


Figure 5: ZED-F9P-01B I2C slave specification


Symbol	Parameter	I2C Fast-mode		Unit
		Min	Max	
f_{SCL}	SCL clock frequency	0	400	kHz
$t_{HD;STA}$	Hold time (repeated) START condition	0.6	-	μs
t_{LOW}	Low period of the SCL clock	1.3	-	μs
t_{HIGH}	High period of the SCL clock	0.6	-	μs
$t_{SU;STA}$	Setup time for a repeated START condition	0.6	-	μs
$t_{HD;DAT}$	Data hold time	0 ¹³	- ¹⁴	μs
$t_{SU;DAT}$	Data setup time	100 ¹⁵	-	ns
t_r	Rise time of both SDA and SCL signals	-	300 (for C = 400pF)	ns
t_f	Fall time of both SDA and SCL signals	-	300 (for C = 400pF)	ns
$t_{SU;STO}$	Setup time for STOP condition	0.6	-	μs
t_{BUF}	Bus-free time between a STOP and START condition	1.3	-	μs
$t_{VD;DAT}$	Data valid time	-	0.9 ¹⁴	μs
$t_{VD;ACK}$	Data valid acknowledge time	-	0.9 ¹⁴	μs
V_{nL}	Noise margin at the low level	0.1 VCC	-	V
V_{nH}	Noise margin at the high level	0.2 VCC	-	V

Table 19: ZED-F9P-01B I2C slave timings and specifications

¹³ External device must provide a hold time of at least one transition time (max 300 ns) for the SDA signal (with respect to the min V_{ih} of the SCL signal) to bridge the undefined region of the falling edge of SCL.

¹⁴ The maximum $t_{HD;DAT}$ must be less than the maximum $t_{VD;DAT}$ or $t_{VD;ACK}$ with a maximum of 0.9 μs by a transition time. This maximum must only be met if the device does not stretch the LOW period (t_{LOW}) of the SCL signal. If the clock stretches the SCL, the data must be valid by the set-up time before it releases the clock.

¹⁵ When the I2C slave is stretching the clock, the $t_{SU;DAT}$ of the first bit of the next byte is 62.5 ns.

 The I2C interface is only available with the UART default mode. If the SPI interface is selected by using D_SEL = 0, the I2C interface is not available.


5.4 USB

The USB 2.0 FS (full speed, 12 Mbit/s) interface can be used for host communication. Due to the hardware implementation, it may not be possible to certify the USB interface. The V_USB pin supplies the USB interface.

5.5 Default interface settings

Interface	Settings
UART1 output	38400 baud, 8 bits, no parity bit, 1 stop bit. NMEA protocol enabled and GGA, GLL, GSA, GSV, RMC, VTG, TXT messages are output by default. UBX and RTCM 3.3 protocols are enabled but no output messages are enabled.
UART1 input	38400 baud, 8 bits, no parity bit, 1 stop bit. UBX, NMEA and RTCM 3.3 input protocols are enabled by default.
UART2 output	38400 baud, 8 bits, no parity bit, 1 stop bit. UBX protocol cannot be enabled on UART2. RTCM 3.3 protocol is enabled by default but no output messages are enabled. NMEA protocol is not enabled by default, it can be enabled and output messages can be enabled.
UART2 input	38400 baud, 8 bits, no parity bit, 1 stop bit. UBX protocol cannot be enabled on UART2, will not receive UBX input messages. RTCM 3.3 protocol enabled by default. NMEA protocol disabled by default but can be enabled.
USB output	NMEA protocol enabled and GGA, GLL, GSA, GSV, RMC, VTG, TXT messages are output by default. UBX protocol is enabled but no messages are output by default. RTCM 3.3 protocol enabled but no messages are output by default.
USB input	UBX, NMEA, RTCM 3.3 protocols enabled by default.
I2C	Fully compatible with the I2C ¹⁶ industry standard, available for communication with an external host CPU, operated in slave mode only. Default messages activated as in UART1. Input/output protocols available as in UART1. Maximum bit rate 400 kb/s.
SPI	Allow communication to a host CPU, operated in slave mode only. Default messages activated as in UART1. Input/output protocols available as in UART1. SPI is not available unless D_SEL pin is set to low (see section D_SEL interface in Integration manual [1]).

Table 20: Default interface settings

 Refer to the u-blox Interface description [2] for information about further settings.

By default the ZED-F9P-01B outputs NMEA 4.10 messages that include satellite data for all GNSS bands being received. This results in a high NMEA load output for each navigation period. Make sure the UART1 baud rate being used is sufficient for the selected navigation rate and the number of GNSS signals being received.

¹⁶ I2C is a registered trademark of Philips/NXP

6 Mechanical specification

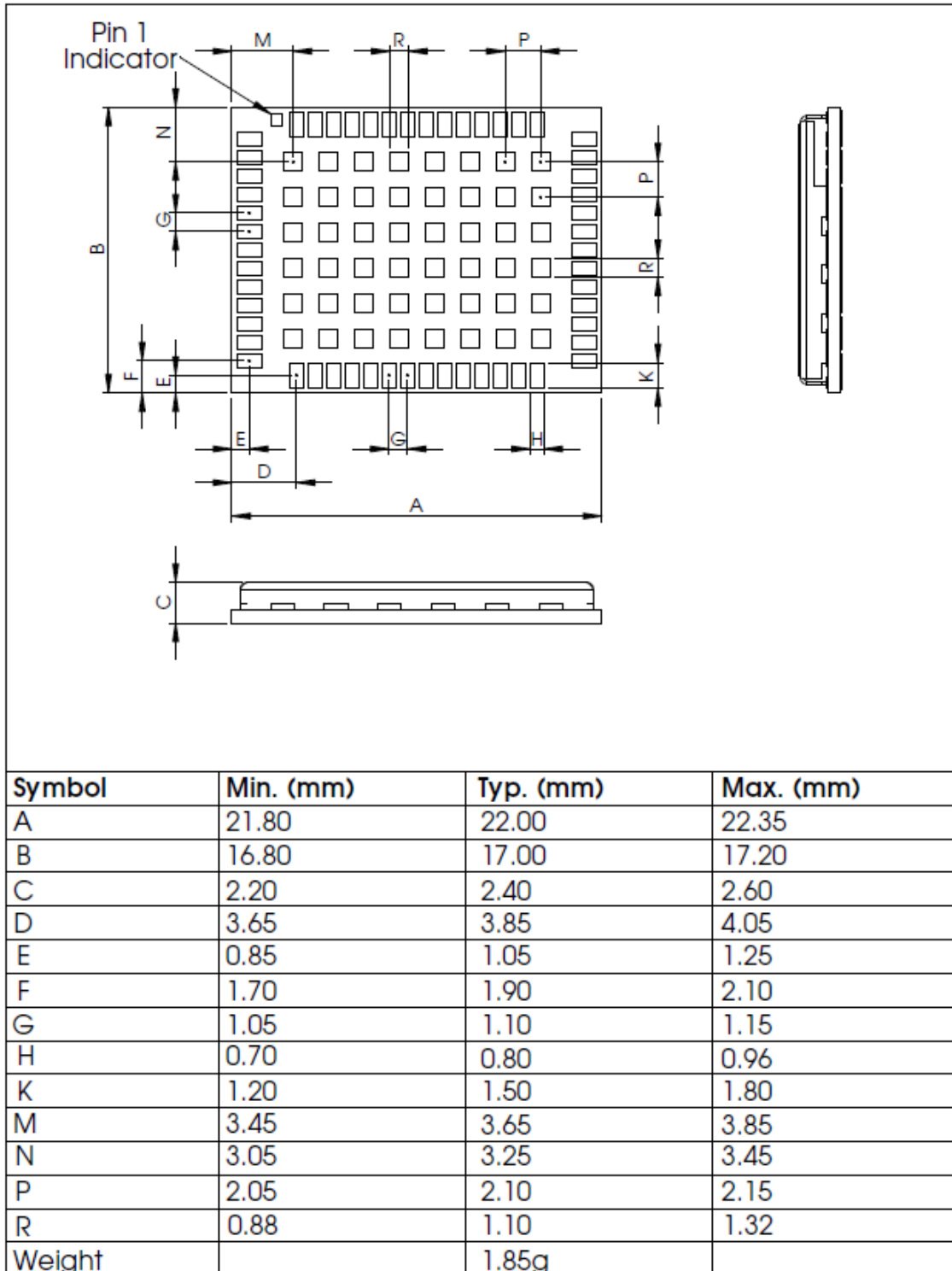


Figure 6: ZED-F9P-01B mechanical drawing

7 Reliability tests and approvals

ZED-F9P-01B modules are based on AEC-Q100 qualified GNSS chips.

Tests for product family qualifications are according to ISO 16750 "Road vehicles – environmental conditions and testing for electrical and electronic equipment", and appropriate standards.

7.1 Approvals



The ZED-F9P-01B is designed to in compliance with the essential requirements and other relevant provisions of Radio Equipment Directive (RED) 2014/53/EU.

The ZED-F9P-01B complies with the Directive 2011/65/EU (EU RoHS 2) and its amendment Directive (EU) 2015/863 (EU RoHS 3).

Declaration of Conformity (DoC) is available on the [u-blox website](#).

8 Labeling and ordering information

This section provides information about product labeling and ordering. For information about product handling and soldering see the Integration manual [1].

8.1 Product labeling

The labeling of the ZED-F9P-01B modules provides product information and revision information. For more information contact u-blox sales.

8.2 Explanation of product codes

Three different product code formats are used. The **Product name** is used in documentation such as this data sheet and identifies all u-blox products, independent of packaging and quality grade. The **Ordering code** includes options and quality, while the **Type number** includes the hardware and firmware versions. Table 21 below details these three different formats.

Format	Structure	Code for this product
Product name	PPP-TGV	ZED-F9P
Ordering code	PPP-TGV-NNQ	ZED-F9P-01B
Type number	PPP-TGV-NNQ-XX	ZED-F9P-01B-01

Table 21: Product code formats

The parts of the product code are explained in Table 22.

Code	Meaning	Example
PPP	Product family	ZED
TG	Platform	F9 = u-blox F9
V	Variant	P = High precision
NNQ	Option / Quality grade	NN: Option [00...99] Q: Grade, A = Automotive, B = Professional
XX	Product detail	Describes hardware and firmware versions

Table 22: Part identification code

8.3 Ordering codes

Ordering code	Product	Remark
ZED-F9P-01B	ZED-F9P	Shipped with firmware FW 1.00 HPG 1.12.

Table 23: Product ordering codes



Product changes affecting form, fit or function are documented by u-blox. For a list of Product Change Notifications (PCNs) see our website at: <https://www.u-blox.com/en/product-resources>.

Related documents

- [1] ZED-F9P Integration manual [UBX-18010802](#)
- [2] HPG 1.12 Interface description UBX-21043658
- [3] Radio Resource LCS Protocol (RRLP), (3GPP TS 44.031 version 11.0.0 Release 11)
- [4] ZED-F9P Moving Base application note UBX-19009093



For regular updates to u-blox documentation and to receive product change notifications please register on our homepage <http://www.u-blox.com>.

Revision history

Revision	Date	Name	Status / comments
R01	21-May-2018	ghun/jhak	Objective specification
R02	18-Sep-2018	ghun	Advance information
R03	20-Dec-2018	ghun	Advance information - Table 4.1, Input power at RF_IN reduced to 10 dBm
R04	26-Feb-2019	ghun	Early production information. Mechanical specification figure updated.
R05	11-July-2019	jhak/ghun	HPG 1.12 and ZED-F9P-01B update
R06	15-Jan-2020	ghun	Early production information - PCN UBX-19057484 added and module type number updated.
R07	20-Feb-2020	jhak	Absolute maximum ratings and Operating conditions tables updated.
R08	18-Feb-2022	dama	Production information
R09	15-Mar-2023	dama	Updated I2C and SPI timing specifications in section Communications interfaces Updated VCC_RF output current in table Absolute maximum ratings Updated backup current in table Operating conditions Added timepulse footnote in table Operating conditions

Contact

u-blox AG

Address: Zürcherstrasse 68
8800 Thalwil
Switzerland

For further support and contact information, visit us at www.u-blox.com/support.

Mouser Electronics

Authorized Distributor

Click to View Pricing, Inventory, Delivery & Lifecycle Information:

[u-blox:](#)

[ZED-F9P-01B](#)